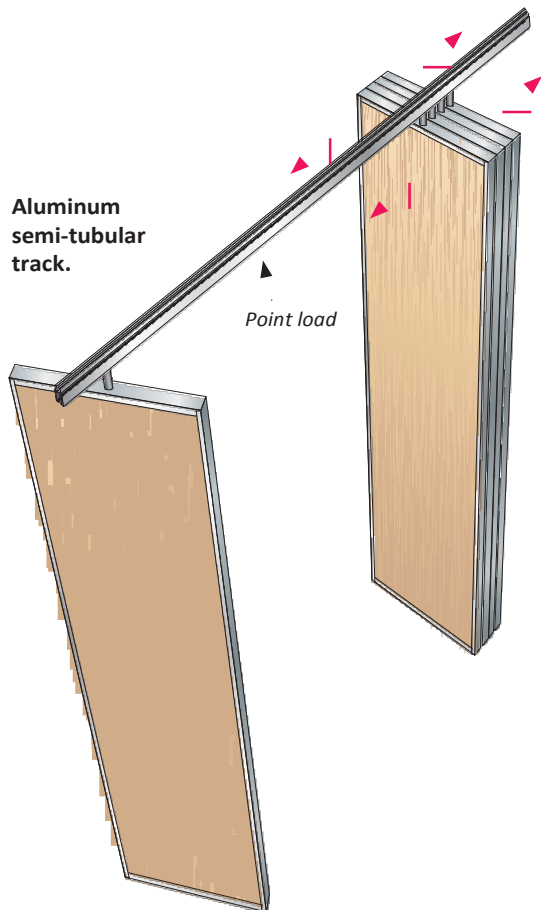


# THE TRACK

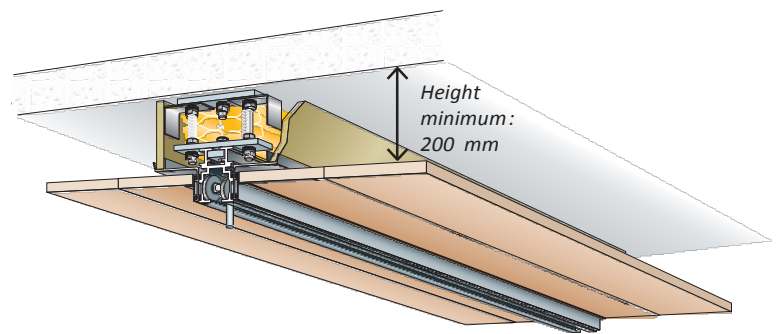
## MONODIRECTIONAL CONCEPT

*Principle: central suspended panels, sliding along a guiding top track (without floor track).*

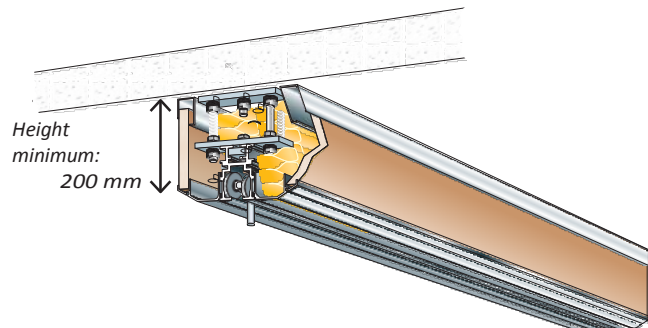
*This system allows a quick manipulation. The track is 25mm under the suspended ceiling to avoid any damage during the movement of the panels.*



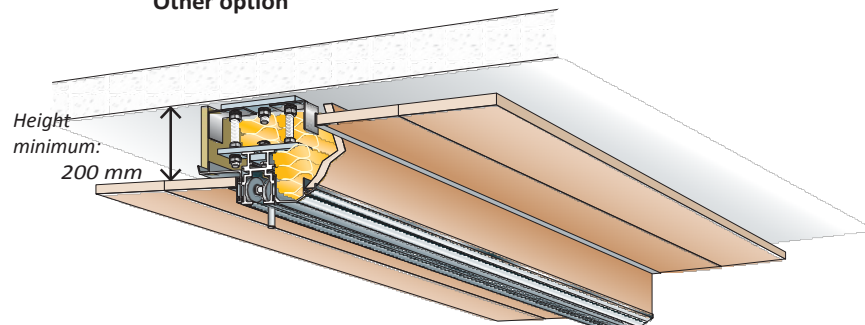
**Track built into a suspended ceiling (with soundproofing)**



**Encased track**



**Other option**



*These installation methods are provided as examples only and are not contractually binding. Installation methods must be specifically calculated case on each partition. Furthermore, they must be validated and checked by the control office approved by the competent authorities.*